

Technical Data Sheet

Compressor model **HPY14AAa**
 Voltage **220-240V 50Hz ~1**
 Refrigerant **R600a**

APPLICATION

Application	Low Back Pressure
Refrigerant	R600a
Evaporating Temp.	-35,0 to -10,0
Expansion	Capillar
Comp. Cooling	Static
Max. ambient temp.	43,0

COMPRESSOR

Displacement	14,32 cm ³
Diameter	29,37 mm
Stroke	21,13 mm
Net Weight	11,00 Kg
Oil type	ISO VG 10 MINER
Oil charge	300 cm ³

MOTOR

Approximate Power	1/5 hp
Voltage/Frequency	220V 50Hz
Voltage range	187-264 V
Type	RSIR
Phase number	1 P
Locked rotor current	11,50 A
Main W. resist. at 25°C	12,69
Start W. resist. at 25°C	17,08

NOMINAL PERFORMANCE

	ASHRAE	CECOMAF
Cooling Capacity	190 kcal/h	165 W
COP	1,43 W/W	1,12 W/W
EER	1,23 kcal/Wh	0,97 kcal/Wh
Input Power	154 W	147 W
Current	0,98 A	0,96 A

APPROVALS



TEST CYCLE CONDITIONS

	ASHRAE LBP (B)	CECOMAF LBP (A)
Evaporating temp.	-23,3 °C	-25,0 °C
Condensing temp.	55,0 °C	55,0 °C
Liquid temp.	32,0 °C	55,0 °C
Ambient temp.	32,0 °C	32,0 °C
Suction temp.	32,0 °C	32,0 °C
Voltage/Frequency	220 V 50 Hz	220 V 50 Hz

ELECTRICAL COMPONENTS

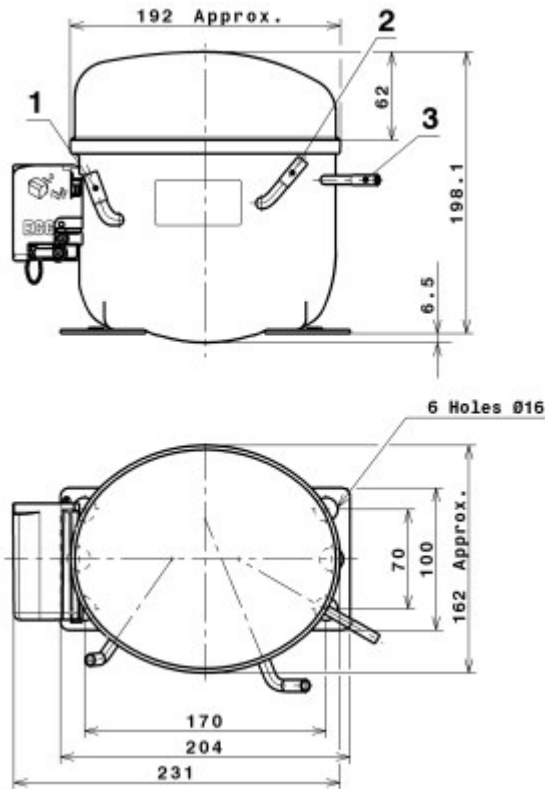
	Option 1	Option 2	Option 3	Option 4
Relay	Option 1			
Reference	PTC K100			
Voltage	200 - 240 V			
Resistance	14,00			
Protector	Option 1	Option 2	Option 3	Option 4
Reference	MSP348LZ	4TM276NFBYY	T0502	AE15BU
Current	7,40 A	9,00 A	9,00 A	8,00 A
Time check	7,5-14 seg	5-15 seg	7,5-14 seg	7,5-14 seg
Disc temp. (Open/Close)	120,00 / 61,00 °C	120,00 / 61,00 °C	130,00 / 62,00 °C	120,00 / 62,00 °C

ASHRAE

Tc	Te	Cooling Capacity kcal/h	Consumption W	Current A	COP W/W	EER kcal/Wh
40	-35	117	105	0,81	1,30	1,11
40	-30	155	123	0,87	1,47	1,26
40	-25	202	141	0,93	1,66	1,43
40	-20	259	161	1,01	1,87	1,60
40	-15	325	183	1,09	2,07	1,78
40	-10	401	205	1,18	2,28	1,96
45	-35	110	104	0,80	1,23	1,05
45	-30	146	123	0,87	1,38	1,19
45	-25	192	143	0,94	1,57	1,35
45	-20	248	164	1,02	1,76	1,51
45	-15	313	186	1,11	1,95	1,68
45	-10	387	210	1,21	2,15	1,84
50	-35	103	104	0,80	1,16	0,99
50	-30	138	124	0,87	1,30	1,12
50	-25	183	145	0,94	1,47	1,26
50	-20	237	167	1,03	1,65	1,42
50	-15	301	190	1,12	1,84	1,58
50	-10	374	215	1,23	2,02	1,74
55	-35	96	103	0,80	1,08	0,93
55	-30	130	124	0,87	1,22	1,05
55	-25	173	146	0,95	1,38	1,18
55	-20	226	170	1,04	1,55	1,33
55	-15	288	194	1,14	1,73	1,48
55	-10	360	220	1,25	1,90	1,64
60	-35	89	102	0,80	1,01	0,87
60	-30	121	124	0,87	1,14	0,98
60	-25	163	148	0,96	1,29	1,11
60	-20	215	172	1,05	1,45	1,25
60	-15	276	198	1,16	1,62	1,39
60	-10	346	225	1,27	1,79	1,54

Technical Data Sheet

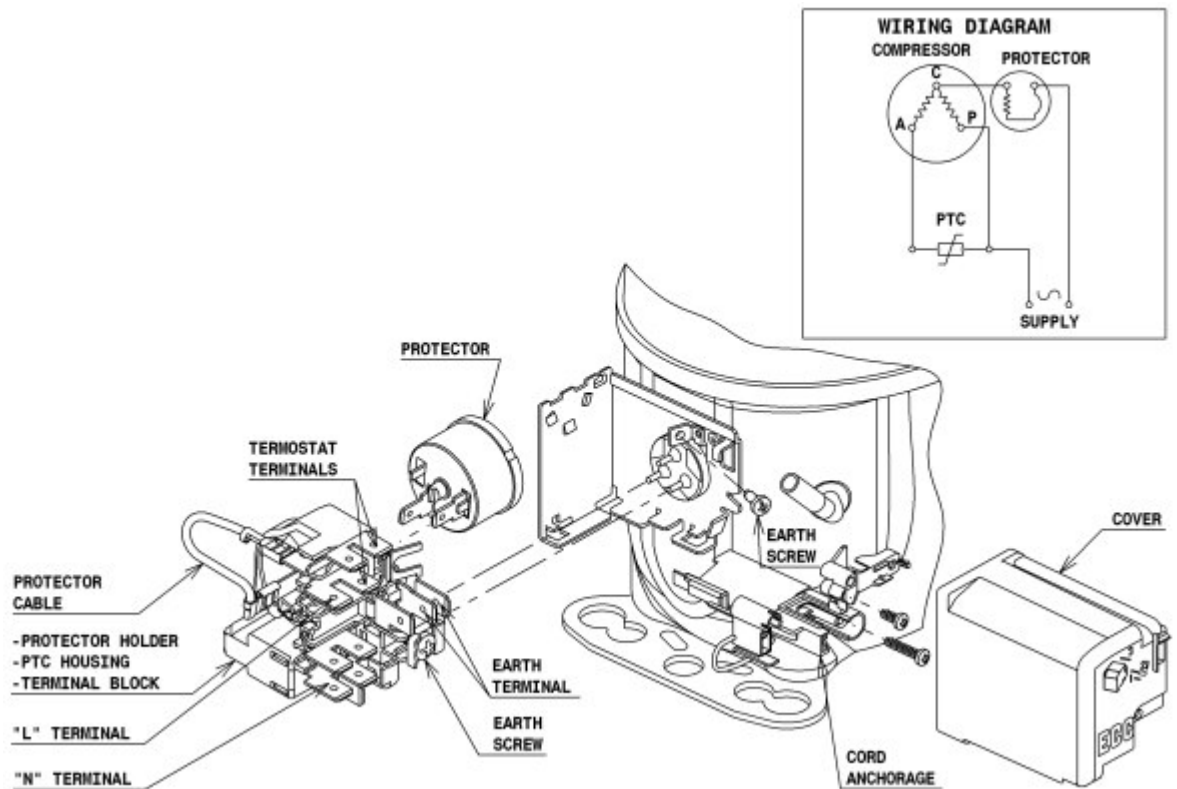
COMPRESSOR DIMENSIONS



DESIGNATION	INTERNAL DIAM.
1 Suction	8,1 mm
2 Service	8,1 mm
3 Discharge	6,5 mm

WIRING DIAGRAMS AND ELECTRICAL ASSEMBLY

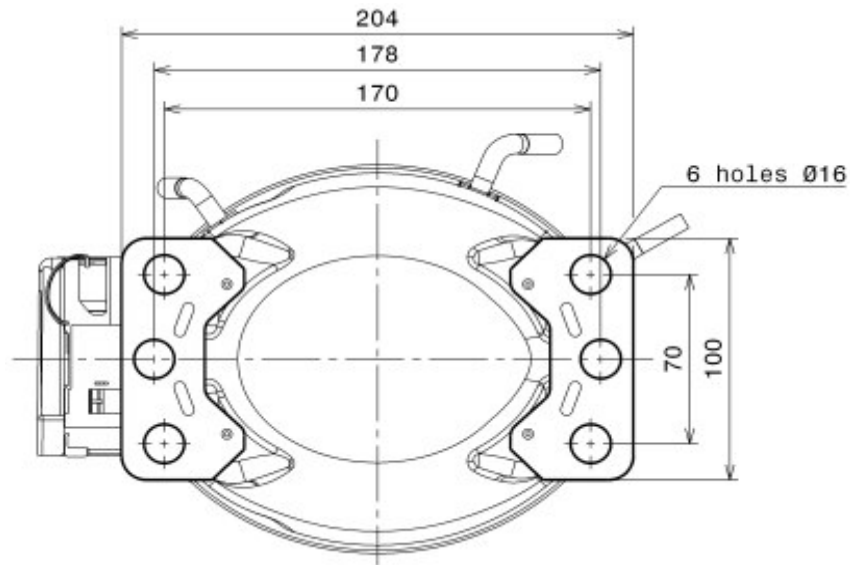
RSIR CONNECTION (PTC)



Technical Data Sheet

FIXINGS

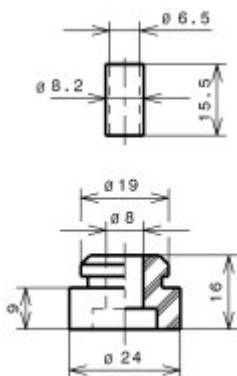
European mounting feet



SILENT BLOCKS (MOUNTING ACCESSORIES)

STANDARD

D.16 holds net (170x70)



SNAP-ON

D.16 holds net (170x70)



SOA

SOA R600a LBP

