

Technical Data Sheet

Compressor model **GX23TB**
 Voltage **220-240V 50Hz ~1**
 Refrigerant **R134a**

APPLICATION

COMPRESSOR

MOTOR

Application	High-Medium Back Pressure	Displacement	23,20 cm ³	Approximate Power	5/8 hp
Refrigerant	R134a	Diameter	34,93 mm	Voltage/Frequency	220V 50Hz
Evaporating Temp.	-25,0 to 10,0	Stroke	24,20 mm	Voltage range	187-264 V
Expansion	Capillar/Valve	Net Weight	17,00 Kg	Type	CSIR
Comp. Cooling	Fan cooled	Oil type	ISO VG 46 ESTER	Phase number	1 P
Max. ambient temp.	43,0	Oil charge	500 cm ³	Locked rotor current	29,00 A
				Main W. resist. at 25°C	2,70
				Start W. resist. at 25°C	15,50

NOMINAL PERFORMANCE

	ASHRAE	CECOMAF
Cooling Capacity	1.780 kcal/h	1.745 W
COP	2,18 W/W	1,91 W/W
EER	1,87 kcal/Wh	1,65 kcal/Wh
Input Power	950 W	911 W
Current	5,80 A	5,64 A

APPROVALS



TEST CYCLE CONDITIONS

	ASHRAE HMBP (D)	CECOMAF HMBP (C)
Evaporating temp.	7,2 °C	5,0 °C
Condensing temp.	55,0 °C	55,0 °C
Liquid temp.	46,0 °C	55,0 °C
Ambient temp.	35,0 °C	32,0 °C
Suction temp.	35,0 °C	32,0 °C
Voltage/Frequency	220 V 50 Hz	220 V 50 Hz

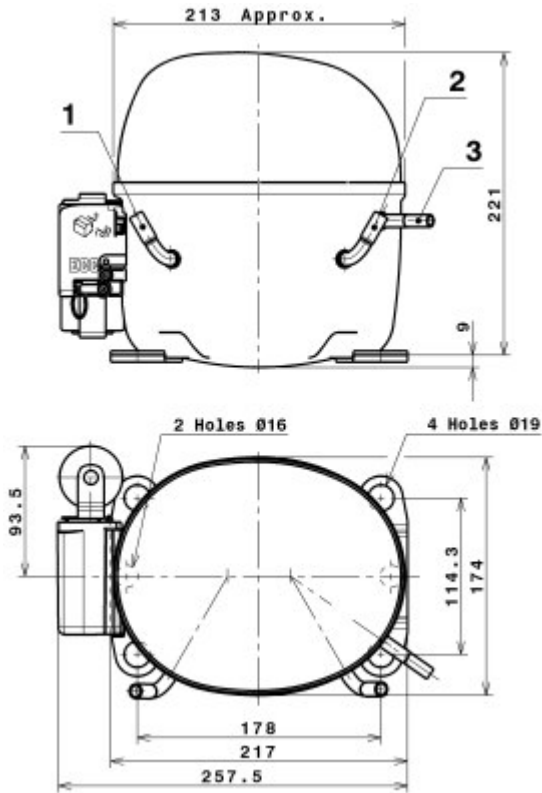
ELECTRICAL COMPONENTS

Starting capacitor	72- 88 µF 330 V			
Relay	Option 1			
Reference	2014 180.			
Pick-Up	16,70 A			
Drop-Out	14,00 A			
Protector	Option 1	Option 2		
Reference	MRA38152	T0260		
Current	27,50 A	22,00 A		
Time check	2,8-5,2 seg	7,5-14 seg		
Disc temp. (Open/Close)	105,00 / 52,00 °C	105,00 / 52,00 °C		

ASHRAE

Tc	Te	Cooling Capacity kcal/h	Consumption W	Current A	COP W/W	EER kcal/Wh
40	-25	470	440	3,90	1,24	1,07
40	-20	636	493	4,08	1,50	1,29
40	-15	836	548	4,27	1,77	1,52
40	-10	1.071	605	4,46	2,06	1,77
40	-5	1.340	663	4,67	2,35	2,02
40	0	1.643	722	4,89	2,65	2,28
40	5	1.981	783	5,13	2,94	2,53
40	7,2	2.140	810	5,23	3,07	2,64
40	10	2.352	845	5,37	3,24	2,78
45	-25	429	440	3,90	1,13	0,98
45	-20	583	501	4,10	1,35	1,16
45	-15	771	563	4,32	1,59	1,37
45	-10	993	627	4,54	1,84	1,59
45	-5	1.250	692	4,78	2,10	1,81
45	0	1.541	758	5,03	2,36	2,03
45	5	1.866	826	5,30	2,63	2,26
45	7,2	2.020	857	5,42	2,74	2,36
45	10	2.226	896	5,58	2,89	2,48
50	-25	389	440	3,90	1,03	0,88
50	-20	530	508	4,13	1,21	1,04
50	-15	706	577	4,37	1,42	1,22
50	-10	916	648	4,62	1,64	1,41
50	-5	1.160	721	4,89	1,87	1,61
50	0	1.439	794	5,17	2,11	1,81
50	5	1.751	870	5,47	2,34	2,01
50	7,2	1.900	903	5,61	2,45	2,10
50	10	2.099	947	5,79	2,58	2,22
55	-25	348	440	3,90	0,92	0,79
55	-20	477	515	4,15	1,08	0,93
55	-15	640	592	4,42	1,26	1,08
55	-10	838	670	4,70	1,45	1,25
55	-5	1.070	750	5,00	1,66	1,43
55	0	1.336	831	5,31	1,87	1,61
55	5	1.637	913	5,65	2,08	1,79
55	7,2	1.780	950	5,80	2,18	1,87
55	10	1.972	997	6,00	2,30	1,98
60	-25	307	440	3,90	0,81	0,70
60	-20	424	522	4,18	0,94	0,81
60	-15	575	606	4,47	1,10	0,95
60	-10	760	692	4,78	1,28	1,10
60	-5	980	779	5,11	1,46	1,26
60	0	1.234	867	5,46	1,66	1,42
60	5	1.522	957	5,83	1,85	1,59
60	7,2	1.660	997	6,00	1,94	1,67
60	10	1.845	1,048	6,22	2,05	1,76
65	-25	267	440	3,90	0,70	0,61
65	-20	371	530	4,20	0,81	0,70
65	-15	510	621	4,52	0,95	0,82
65	-10	683	713	4,86	1,11	0,96
65	-5	890	808	5,22	1,28	1,10
65	0	1.132	903	5,61	1,46	1,25
65	5	1.408	1,000	6,01	1,64	1,41
65	7,2	1.540	1,043	6,20	1,72	1,48
65	10	1.718	1,099	6,44	1,82	1,56

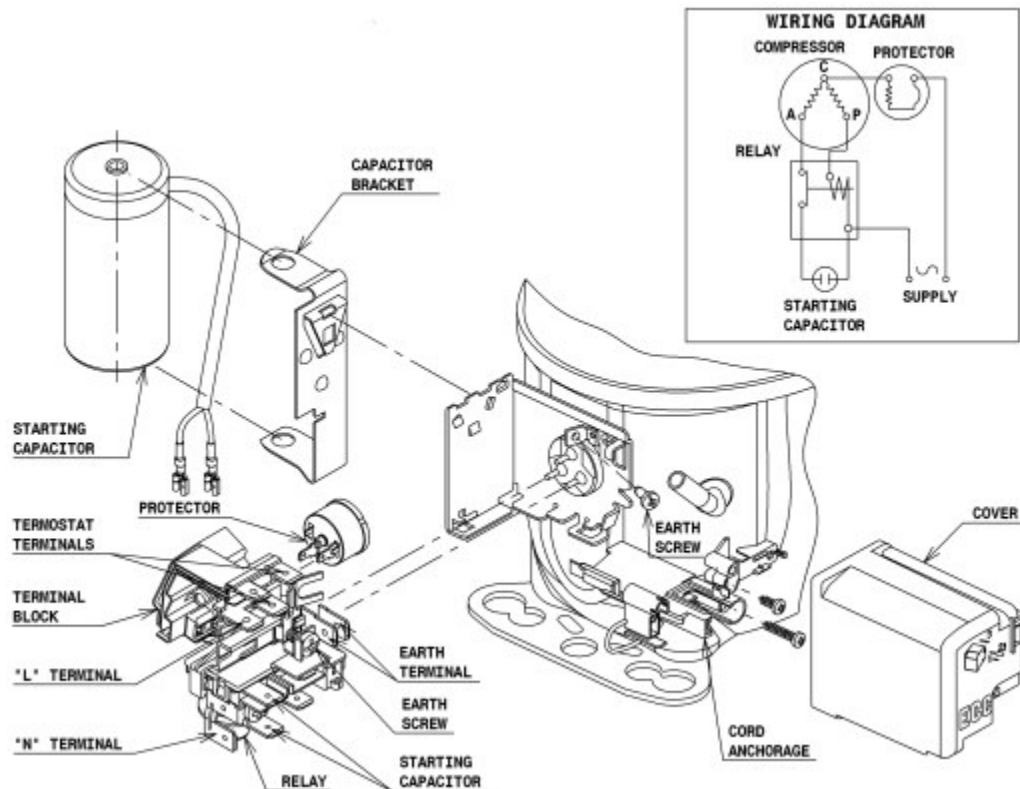
COMPRESSOR DIMENSIONS



DESIGNATION	INTERNAL DIAM.
1 Service	8,1 mm
2 Suction	8,1 mm
3 Discharge	6,5 mm

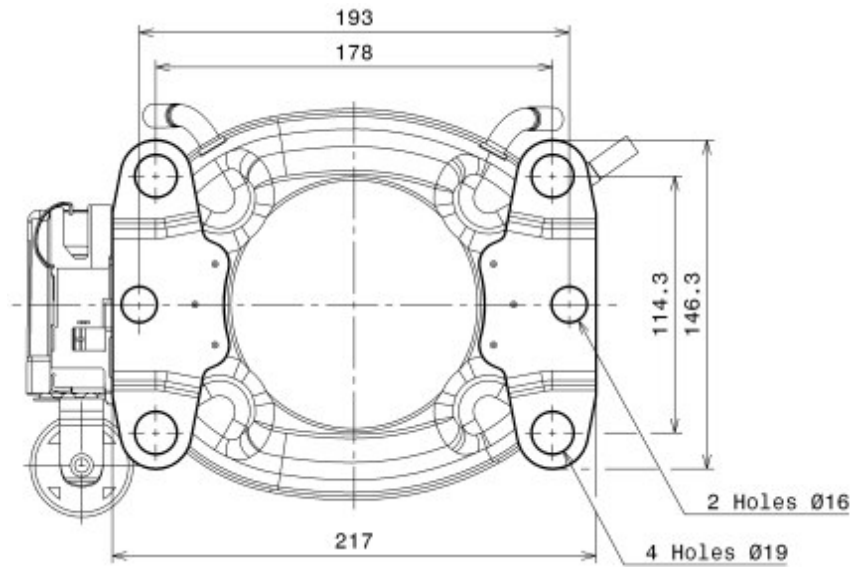
WIRING DIAGRAMS AND ELECTRICAL ASSEMBLY

CSIR CONNECTION



Technical Data Sheet

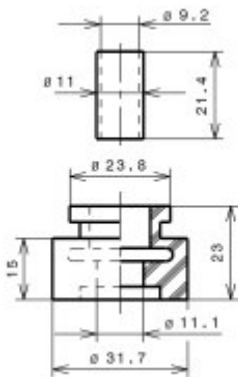
FIXINGS



SILENT BLOCKS (MOUNTING ACCESSORIES)

STANDARD

D.19 holds net (178x114.3)



SOA

SOA R134a HMBP

