

# Technical Data Sheet

Compressor model **HPY16AAa**  
 Voltage **220-240V 50Hz ~1**  
 Refrigerant **R600a**

## APPLICATION

Application	Low Back Pressure
Refrigerant	R600a
Evaporating Temp.	-35,0 to -10,0
Expansion	Capillar
Comp. Cooling	Static
Max. ambient temp.	43,0

## COMPRESSOR

Displacement	16,15 cm <sup>3</sup>
Diameter	31,19 mm
Stroke	21,13 mm
Net Weight	11,00 Kg
Oil type	ISO VG 10 MINER
Oil charge	300 cm <sup>3</sup>

## MOTOR

Approximate Power	1/4 hp
Voltage/Frequency	220V 50Hz
Voltage range	187-264 V
Type	RSIR
Phase number	1 P
Locked rotor current	11,70 A
Main W. resist. at 25°C	10,91
Start W. resist. at 25°C	17,33

## NOMINAL PERFORMANCE

	ASHRAE	CECOMAF
Cooling Capacity	208 kcal/h	181 W
COP	1,44 W/W	1,12 W/W
EER	1,24 kcal/Wh	0,97 kcal/Wh
Input Power	168 W	161 W
Current	1,06 A	1,03 A

## APPROVALS



## TEST CYCLE CONDITIONS

	ASHRAE LBP (B)	CECOMAF LBP (A)
Evaporating temp.	-23,3 °C	-25,0 °C
Condensing temp.	55,0 °C	55,0 °C
Liquid temp.	32,0 °C	55,0 °C
Ambient temp.	32,0 °C	32,0 °C
Suction temp.	32,0 °C	32,0 °C
Voltage/Frequency	220 V 50 Hz	220 V 50 Hz

## ELECTRICAL COMPONENTS

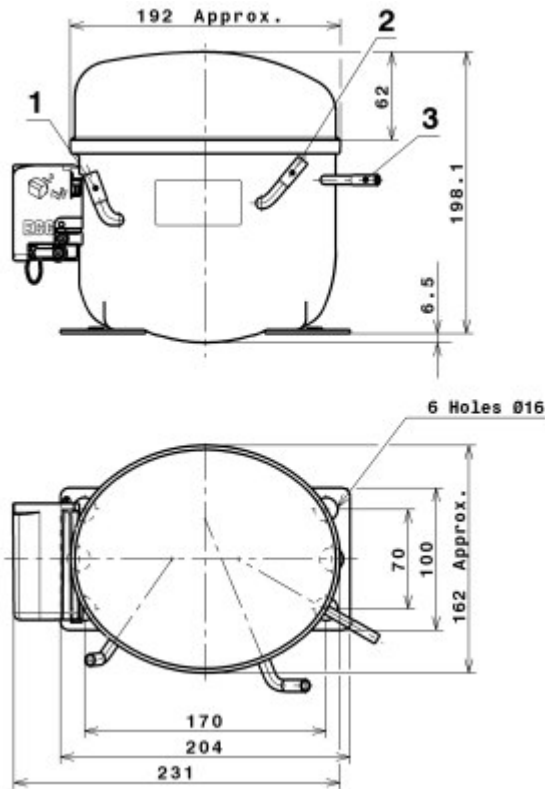
	Option 1	Option 2	Option 3	Option 4
Relay	Option 1			
Reference	PTC K100			
Voltage	200 - 240 V			
Resistance	14,00			
Protector	Option 1	Option 2	Option 3	Option 4
Reference	MSP304LZ	4TM319NFBYY	T0490	AE11FU
Current	9,40 A	12,00 A	9,40 A	9,40 A
Time check	7,5-14 seg	5-15 seg	7,5-14 seg	7,5-14 seg
Disc temp. (Open/Close)	120,00 / 61,00 °C	120,00 / 61,00 °C	130,00 / 62,00 °C	120,00 / 62,00 °C

ASHRAE

Tc	Te	Cooling Capacity kcal/h	Consumption W	Current A	COP W/W	EER kcal/Wh
40	-35	129	119	0,88	1,26	1,08
40	-30	170	135	0,93	1,46	1,25
40	-25	222	154	1,00	1,67	1,44
40	-20	285	175	1,09	1,89	1,62
40	-15	359	199	1,19	2,10	1,80
40	-10	444	225	1,32	2,30	1,97
45	-35	121	118	0,87	1,19	1,03
45	-30	161	136	0,94	1,37	1,18
45	-25	211	156	1,01	1,57	1,35
45	-20	272	179	1,10	1,77	1,53
45	-15	345	203	1,21	1,97	1,70
45	-10	429	231	1,34	2,16	1,86
50	-35	114	118	0,87	1,12	0,97
50	-30	151	137	0,94	1,29	1,11
50	-25	200	158	1,02	1,47	1,27
50	-20	260	182	1,12	1,67	1,43
50	-15	331	208	1,23	1,85	1,59
50	-10	413	236	1,37	2,03	1,75
55	-35	106	117	0,87	1,05	0,91
55	-30	142	137	0,94	1,21	1,04
55	-25	189	160	1,03	1,38	1,19
55	-20	248	185	1,13	1,56	1,34
55	-15	317	212	1,25	1,74	1,50
55	-10	398	242	1,40	1,91	1,64
60	-35	98	116	0,87	0,98	0,85
60	-30	133	138	0,94	1,12	0,96
60	-25	179	162	1,03	1,29	1,11
60	-20	236	188	1,14	1,46	1,25
60	-15	304	217	1,27	1,63	1,40
60	-10	383	248	1,43	1,80	1,55

# Technical Data Sheet

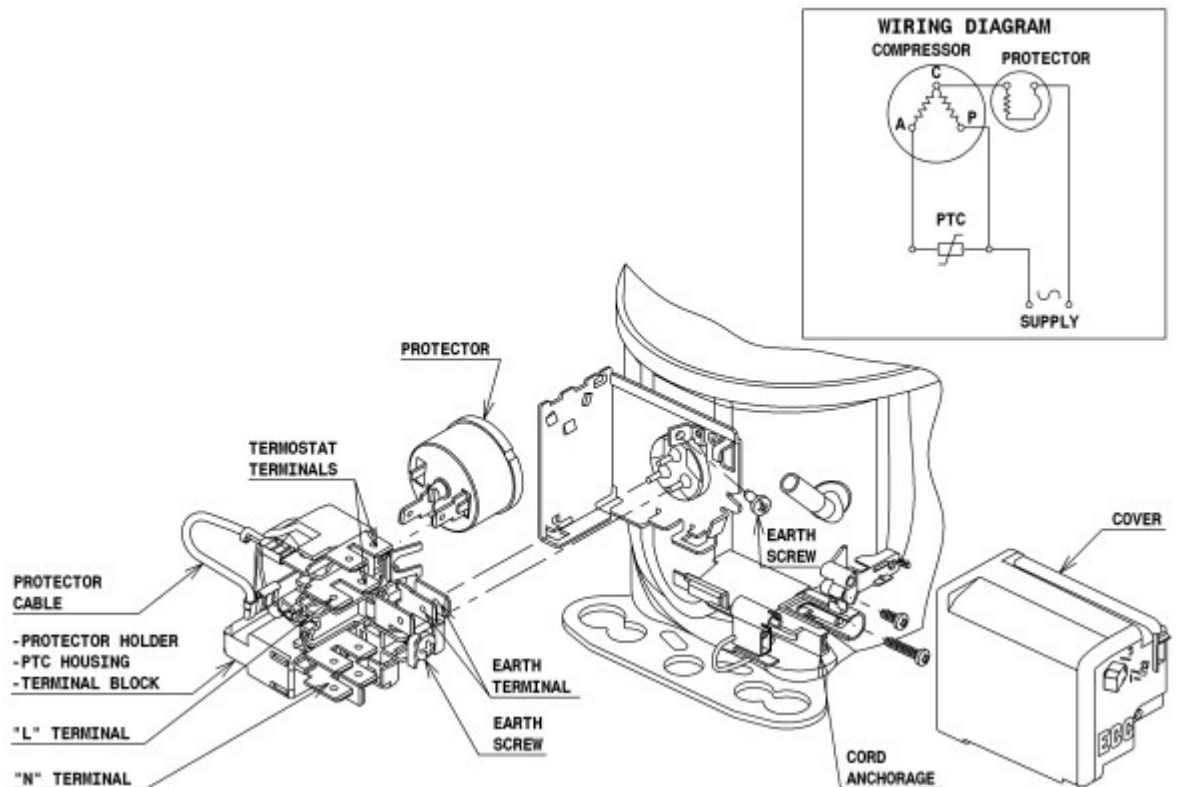
## COMPRESSOR DIMENSIONS



DESIGNATION	INTERNAL DIAM.
1 Suction	8,1 mm
2 Service	8,1 mm
3 Discharge	6,5 mm

## WIRING DIAGRAMS AND ELECTRICAL ASSEMBLY

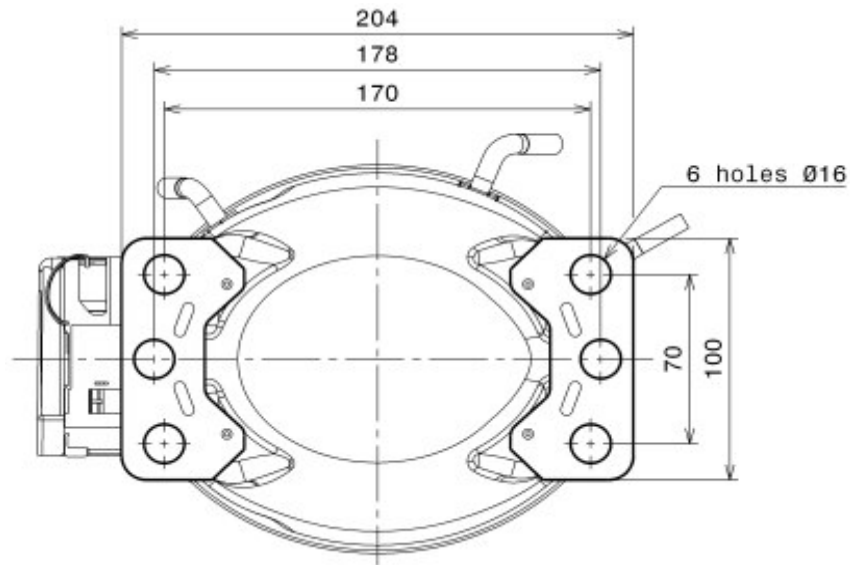
### RSIR CONNECTION (PTC)



# Technical Data Sheet

## FIXINGS

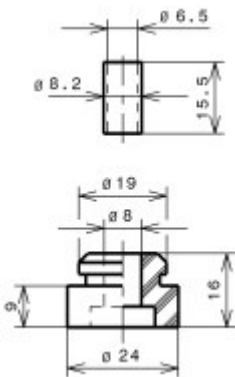
European mounting feet



## SILENT BLOCKS (MOUNTING ACCESSORIES)

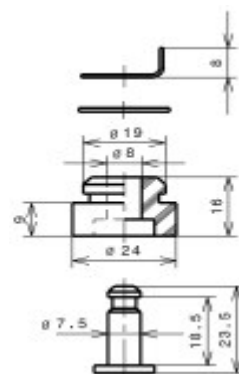
### STANDARD

D.16 holds net (170x70)



### SNAP-ON

D.16 holds net (170x70)



## SOA

SOA R600a LBP

